

**MK Flex**



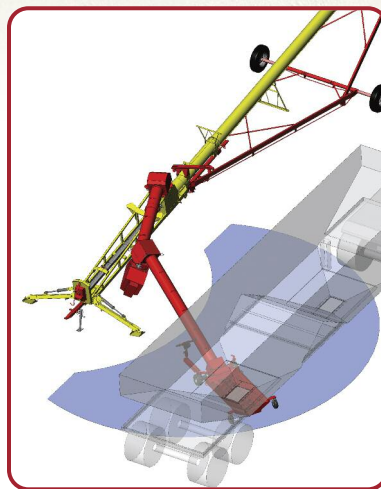
# Save Time When it Matters Most!

The pioneers of portable grain handling equipment are pleased to introduce the next revolution in auger design: the MK Flex

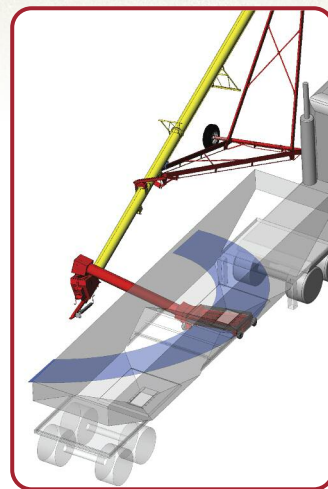
**Fast and Efficient:**  
Unload both hoppers on grain trailer without repositioning truck..

**287% More Area Covered:**  
Patented double joint design to reach and retract further.

**Single Unit Transport:**  
Move your auger to the next site in one trip.



**NEW FLEX**  
SWING AWAY



**REGULAR**  
SWING AWAY

# WESTFIELD®

**AGI**  
AG GROWTH INTERNATIONAL

## The MK Flex patented design includes these innovative features:



Hydraulic Handle Bar Controls



Outriggers for Stability



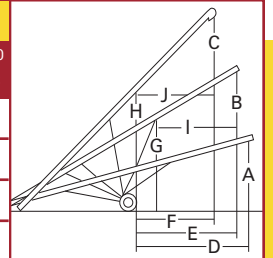
Swivel boot for efficient grain transitions and clean out



Hydraulic Drive Positions the Hopper with Ease

## The MK Flex: Faster, More Efficient and Easy to Use. It's the Auger with All the Right Moves!

Model	A Height Lowered	B Height Halfway	C Height Raised	D Reach Lowered	E Reach Halfway	F Reach Raised	G Height at Liftarms	H Height at Wheels	I Reach to Liftarms	J Reach to Wheels
MK130 X 71'	12' 0"	32' 2"	46' 0"	33' 7"	30' 9"	27' 2"	20' 2"	25' 7"	27' 7"	27' 9"
MK130 X 81'	10' 7"	31' 5"	51' 9"	41' 3"	38' 7"	32' 0"	22' 4"	27' 2"	26' 6"	30' 8"
MK130 X 91'	12' 6"	36' 0"	59' 6"	44' 8"	41' 5"	34' 8"	23' 3"	28' 6"	31' 4"	38' 4"
MK130 X 111'	15' 0"	42' 6"	71' 6"	54' 7"	50' 11"	42' 6"	27' 8"	33' 5"	38' 5"	48' 9"



### **SAFETY FIRST!**

We know you work long and hard, especially during harvest. Please take the time to put safety first:

Westfield augers are designed with operator safety in mind and incorporate many safety features. Everyone operating an auger must read and understand the operator's manual and safety decals before attempting to operate the unit. Do not modify this implement in any way. Use only for intended purposes. Keep all safety shields in place while operating. Never operate with any safety shields or guard removed or modified. Never transport the unit in a raised position. Check overhead before raising. Never attempt to service the auger while it is running. Keep children, pets and untrained personnel away from work area.